

Goliath Davit 150kg

Davit designed for lifting of submersible motor pumps or mixers



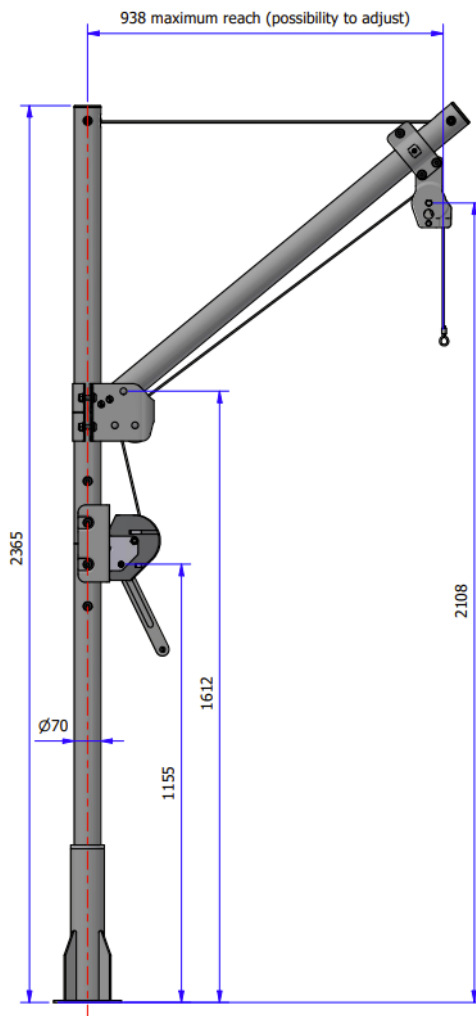
Product application :

- Sewage treatment plants
- Any lifting application

Technical data :

Maximum working load	150 kg
Minimum working load	5 kg
Maximum reach	938mm
Weight (without winch and foot)	25kg
Height	2.4m

Winch available	Key feature	Cable ϕ (mm)	Cable Length (m)
TR9		$\phi 4$	15
6AFD		$\phi 4$	15
TPV900	Low effort	$\phi 6$	15
6AFID	Stainless Steel	$\phi 4$	15
TPVI900	Low effort, Stainless steel	$\phi 6$	15



Product data:

- Standard galvanized version
 - Davit : hot dip galvanized
 - Winch: zinc plated (stainless steel optional)
 - Cable : stainless steel
 - Pulley support stainless steel
 - Pulley: composite polymer
- Stainless steel version
 - Davit : 304 stainless steel
 - Winch : 316l stainless steel
 - Cable : stainless steel
 - Pulley support stainless steel
 - Pulley: composite polymer
- Various type of Goliath winches available (see table)
- Rotation 180°

Goliath Davit 150kg

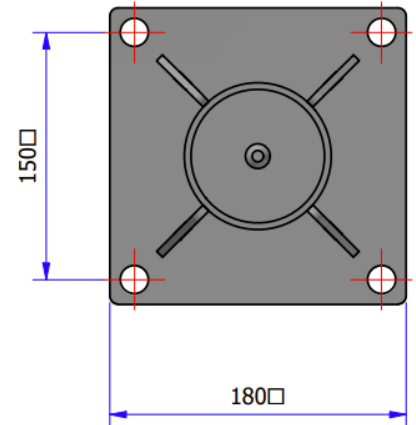
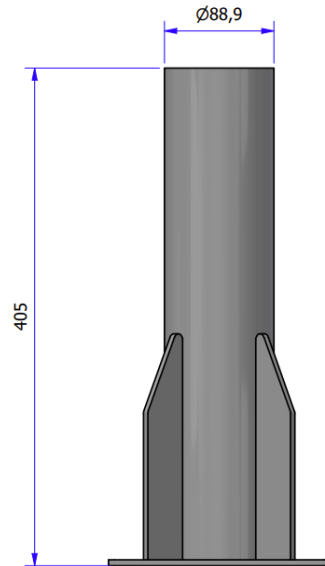
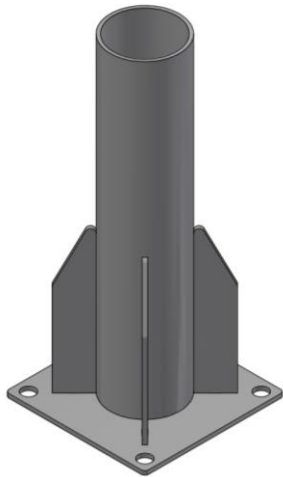
Davit designed for lifting of submersible motor pumps or mixers



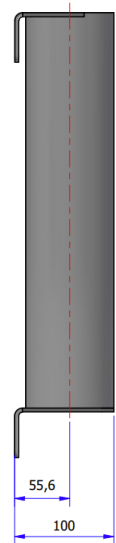
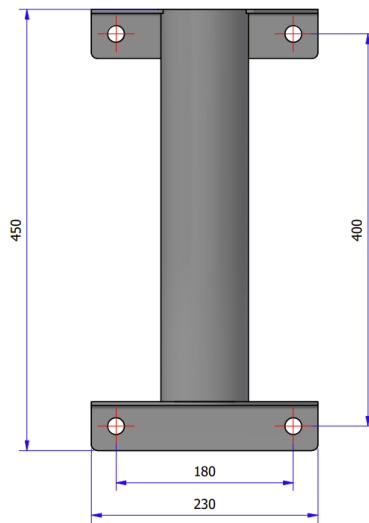
GOLIATH

Available feet for Goliath Davits 150-200kg

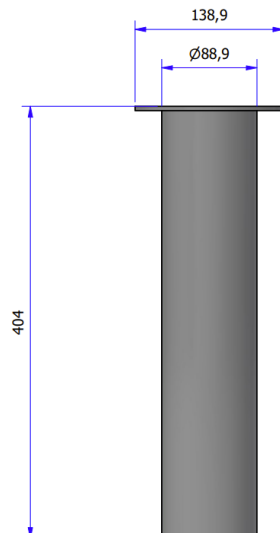
Floor mounted foot:



Wall mounted foot:



Embedded foot:



Goliath Davit 150kg

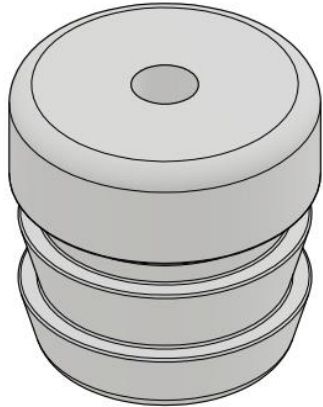
Davit designed for lifting of submersible motor pumps or mixers



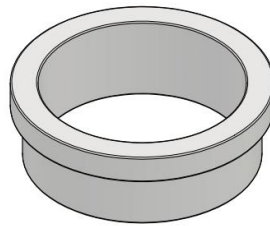
Adaptation rings:

The adaptation rings allows you to use our davit with different feet.

Lower part:

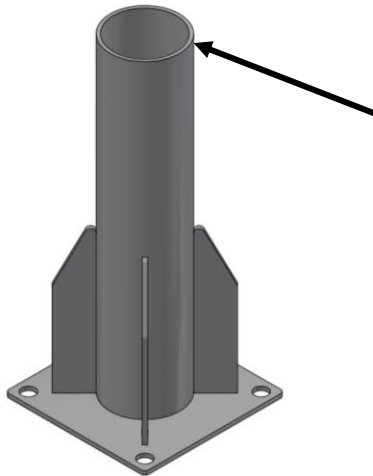


Upper part:



If you have a foot and you need a davit:

Please take measures on the main tube of the foot:



External Diameter	Thickness
Ø88.9mm	5mm
Ø88.9mm	6mm
Ø101.6mm	5mm
Ø101.6mm	6mm
Ø114.3mm	4mm
Ø114.3mm	5mm
Ø114.3mm	6mm